

Tiandy



TC-C32WN Spec:I5/E/Y/M/2.8mm/V4.1

2MP Fixed IR Bullet Camera

Lite Series



KEY FEATURES

- Metal Housing
- Up to 1920x1080@30fps
- S+265/H.265/H.264
- Min. illumination Color: 0.02Lux@F2.0
- Smart IR, IR Range: 50m
- Support tripwire and perimeter
- Built-in Mic, support max 512G Micro SD Card
- Operating Conditions -40°C~65°C, 0~95% RH
- POE, DC12V
- IP67



Tiandy Technologies Co.,Ltd.

Email: sales@tiandy.com

Tel: +86-22-58596065

Website: en.tiandy.com

Fax: +86-22-58596048



SPECIFICATIONS

Camera	
Image Sensor	1/2.8"CMOS
Min. Illumination	Color:0.02Lux@(F2.0,AGC ON),B/W:0Lux with IR
Shutter Time	1s-1/100000s
Day&Night	IR-cut filter with auto switch (ICR)
WDR	DWDR
S/N	>39dB
Angle Adjustment	0-360°;0-75°;0-360°
Lens	
Lens Type	Fixed
Focal Length	2.8mm
Lens Mount	M12
Aperture Range	F2.0,Fixed
Field of View	99.7°(H);55.1°(V);113.9°(D)
DORI Distance	Detect:38.6m Observe:15.3m Recognize:7.7m Identify:3.8m
Illuminator	
IR LEDs	2
IR Distance	50m
Wavelength	850nm
White LEDs	N/A
Whitelight Distance	N/A
Compression Standard	
Video Compression	S+265/H.265/H.264B/H.264M/H.264H
Video Bit Rate	32k-6Mbps
Audio Compression	G.711A/G.711U/ADPCM_D
Audio Sampling Rate	8kHz/32kHz/48kHz

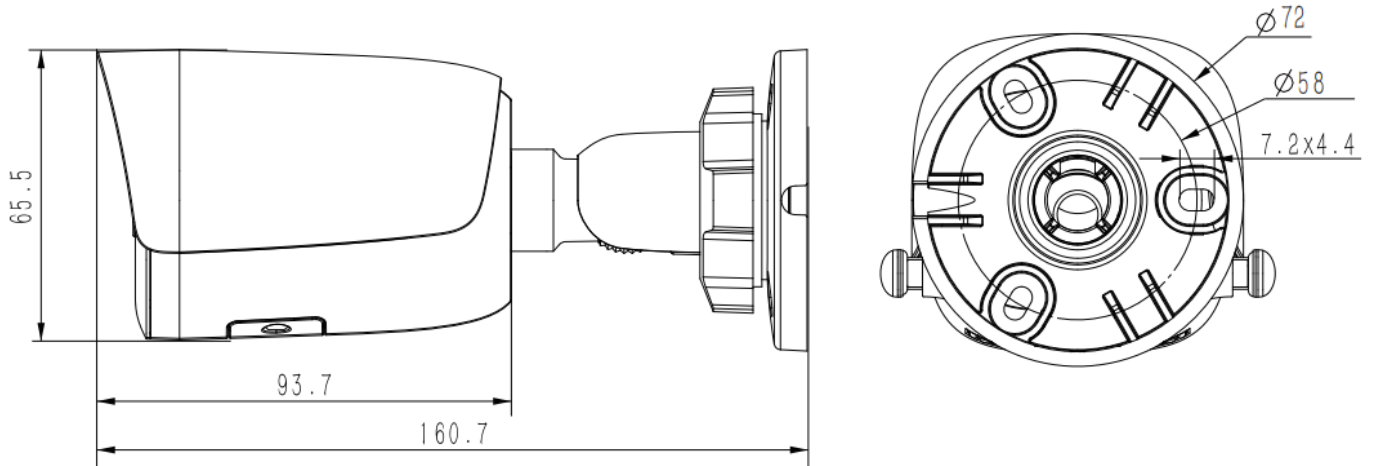
Tiandy

Image	
Max. Resolution	1920x1080@30fps
Main Stream	PAL: 25fps(1920x1080,1280x720,640x480,704x576) NTSC: 30fps(1920x1080,1280x720,640x480,704x480)
Sub Stream	PAL:25fps(704x576,704x288,640x360,352x288) NTSC:30fps(704x480,704x240,640x360,352x240)
Third Stream	N/A
BLC	Yes
HLC	Yes
AGC	Yes
3D DNR	Yes
White Balance	Auto/Semi-auto/Manual/Sunny/Natural light/Warm light/Sodium lamp/Incandescent lamp/Locked white balance
ROI	8 regions
Corridor mode	N/A
EIS	N/A
OSD	1region;16*16/32*32/48*48
Picture Overlay	N/A
Privacy Mask	4 regions
Defog	Yes
Feature	
Alarm Trigger	Motion Detection;Mask Alarm;Disk Full;Disk R/W Error;IP Address Conflict
Linkage Method	trigger recording;trigger capture;notify surveillance center
Video Analytics	Tripwire;Perimeter

Tiandy

Rules of behavior analyse in 1 scene	2
Early Warning(EW)	N/A
Auto-Tracking	N/A
Face Mode	N/A
Face Detection Performance	N/A
Network	
ANR	ANR
Protocols	HTTP;HTTPS;TCP/IP;UDP;UPnP;ICMP;DHCP;DNS;DDNS;Easy DDNS;NTP;QoS;IPv4;SSH;Unicast;RTSP;FTP
System Compatibility	P2P(Mutually exclusive with Profile G);onvif Profile S/T/G;CGI;MIL STONE
Remote Connection	≤2
Client	Easy7 Smart Client
Moblie Client	EasyLive Plus
Web	IE10+;Firefox52+;Edge89+;Safari11+;Chrome57+
Interface	
Communication Interface	1 RJ45 10M/ 100M self adaptive Ethernet port
Audio I/O	N/A
Alarm I/O	N/A
Built-In Mic	Yes
Built-In Speaker	N/A
Reset Button	Yes
On-board storage	Built-in Micro SD card slot, up to 512 GB
Additional interfaces	N/A
General	
Web Client Language	19languages Simple Chinese/Traditional Chinese/English/Spanish/Korean/Italian/Turkish/Russian/Thai/French/Polish/Dutch/Hebrew/Arabic/Vietnamese/German/Ukrainian/Portuguese/Albanian
Operating Temperature	-40°C-65°C
Operating Humidity	0-95%
Storage Temperature	-40°C-65°C
Storage Humidity	0-95%(non-condensing)
Power Supply	DC12V±25%,MAX 6W;POE 802.3af,MAX 7W
Protection	Surge protection 2000V;Lightning proof 6000V;IP67
Boundary Dimensions	160(L)73(W)73(H)mm
Package Dimensions	215(L)95(W)120(H)mm
GrossWeight	0.65kg
NetWeight	0.52kg

DIMENSIONS (Unit: mm)



ACCESSORIES



TC-P54BM SpecV5



A36